

# DENSO ADC

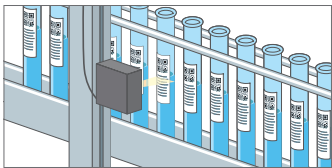
INVENTOR OF THE QR CODE®

[ STATIONARY 2-D SCANNER ]  
[ QB30 ]

► Plug and play solution: setting new standards for high-speed scanning, compact size and rugged construction

## SCANNING PERFORMANCE

### High-speed scanning + moving-object scanning

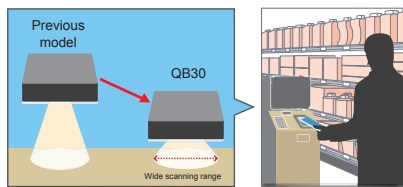


The QB30 not only scans twice as fast as the previous QB20 model, it can also scan moving objects, such as

products or containers in a manufacturing line, medical inspection process, etc.

### Wide scanning range and compact size—fits in small spaces

The QB30's compact body and wide-angle lens enable it to be installed in a small space, close to its scanning targets. This is especially advantageous when mounting on a kiosk or in another location where space is limited.



Can be installed in a compact space.

### Batch scanning of multiple codes

Batch scanning of up to eight codes of two different types at once can significantly increase productivity.



### White LED—reads codes of all colors

A white LED allows the QB30 to read codes of all colors. In addition, the lighting unit has a white face, to minimize glare.



Lighting unit

## ROBUST ENVIRONMENTAL PERFORMANCE

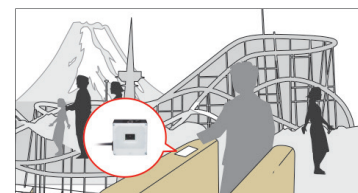
### Protected against dust and water

What is **IP 54**

Dust protection: Dustproof	Water protection: Splashproof
Protects against ingress of dust	Protects against splashing water

An IP54 protection level resists dust and water, allowing the QB30 to function in a wide variety of environments.

### Wide operating temperature range



The QB30's wide operating temperature range of -20 to 50 °C enables it to be used in semi-outdoor applications such as entrance gates.

# QB30 SPECIFICATIONS

Model			QB30-SR (RS-232C model)	QB30-SU (USB model)
Scanner unit	Readable codes	1-D codes	EAN-13/-8 (JAN-13/-8), UPC-A/E, UPC/EAN (add-on), Interleaved 2 of 5, Codabar (NW-7), Code 39, Code 93, Code 128, GS1-128, GS 1 DataBar (RSS)	
		2-D codes	QR Code®, micro QR Code, SQRC, iQR, PDF417, micro PDF417, MaxiCode, Data Matrix (ECC 200), Aztec, GS1 DataBar Composite (EAN.UCC Composite)	
	Minimum resolution	1-D codes	0.15 mm	
		2-D codes	0.20 mm	
	Code movement speed		800 mm/s <sup>1</sup> -	
	Scanning range		62 x 39 mm (at 40 mm scanning distance)	
	Lighting		White LED	
	Scan confirmation	LED	One (blue, green, red)	
Buzzer		3-step volume control, 3-step tone control		
Interface	Interface	RS-232C (15-pin female mini D-sub)	USB	
	Cable length	0.5 m	2 m	
External input/output	Input	Trigger reset	-	
	Output	Scanning OK/NG, contrast OK/NG, external-lighting sync signal	-	
Power unit	Rated voltage	5 V		
	Power	Supplied by system		
Supplemental functions	Operating button	1 button (Magic Key)		
	Batch reading of multiple codes	Max. 8		
	Image storage	Max. 10		
Environmental performance	Operating temperature	-4 to 122 °F (-20 to 50 °C)		
	Protection rating	IP54		
Weight		Approx. 4.23 oz (120 g)	Approx. 5.29 oz (150 g)	

1. Requires an outside trigger; reading a Version 5 QR Code with a cell size of 0.33 mm.

## INCLUDED ITEMS

### Literature

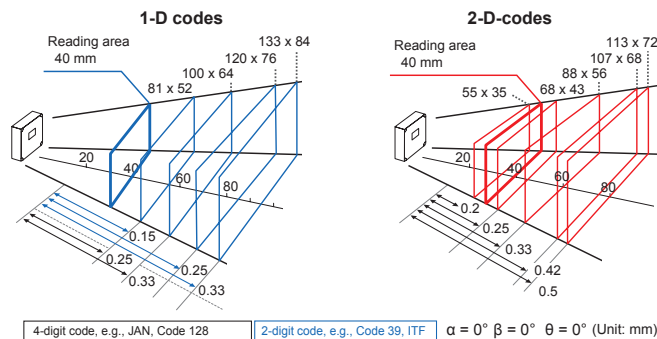
- Operation guide
- User's manual

### Software

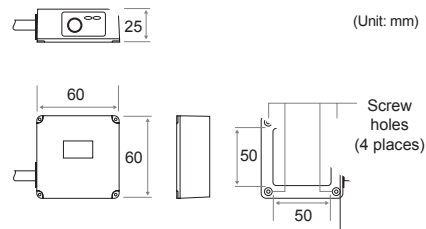
- USB driver [Active USB-COM port-driver]
- Setup software [QB Setting]
- Keyboard emulation software [QR\_kbif.3.0]
- SQRC setup software [SQRC Setting]

Items with this symbol are available from [www.denso-adc.com](http://www.denso-adc.com) free of charge.

## SCANNING RANGE AND DEPTH



## DIMENSIONS



QB30 Web page

### [DENSO ADC]

3900 Via Oro Ave.  
 Long Beach, CA. 90810  
 Phone + (888) MY DENSO  
 + (888) 693 3676  
 Fax + (310) 835 8724  
[denso-adc@denso-diam.com](mailto:denso-adc@denso-diam.com)  
[www.denso-adc.com](http://www.denso-adc.com)

